

# ALC 500 SYSTEM



SIMPLY PROFESSIONAL

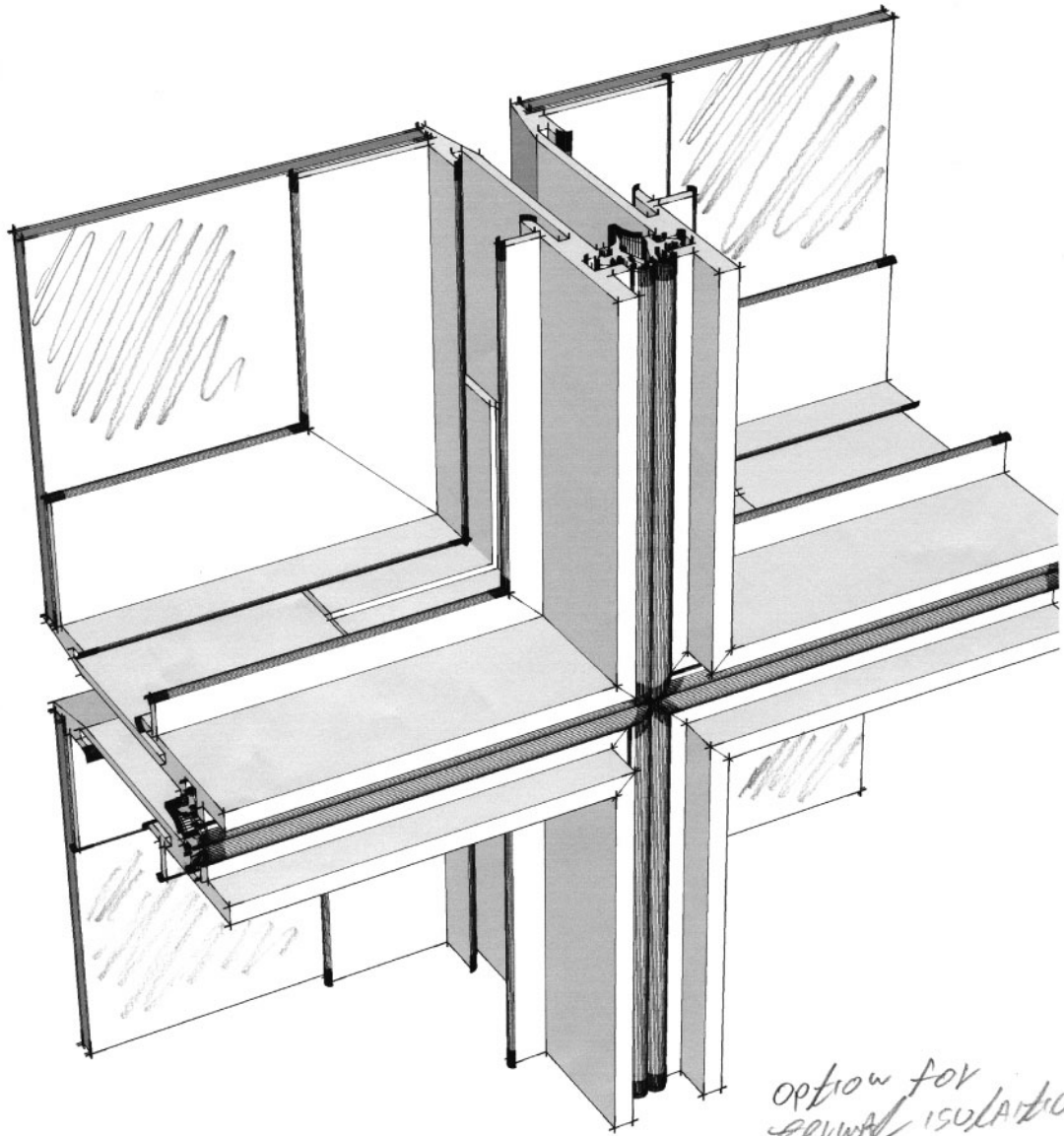


Aluminum Construction



## Aluminum Constructions Technology

Aluminum Construction Ltd. is Israel's leading curtain wall engineering and manufacturer for tall buildings (towers). Aluminum Construction Ltd. was founded in 1987 and boasts 2 plants - one in Israel and the other in Europe. The Company has 200 employees including engineers, production workers, installation workers, quality control technicians, etc. Aluminum Construction Ltd. develops and designs curtain wall systems and is renowned for its quality and professionalism both in Israel and in Europe. Aluminum Construction Ltd. tests the curtain wall systems it designs in a laboratory located on its premises and deemed to be one of the world's three leading laboratories testing curtain wall systems. Aluminum Construction Ltd. tailors its curtain walls to Israeli, European and American standards and adheres to some of the world's most stringent quality control guidelines. Aluminum Construction Ltd. installs its curtain walls with the help of its team of skilled employees. Aluminum Construction Ltd. provides service and oversees its projects through its subsidiary, "Aluminum Constructions International". Aluminum Construction Ltd. invites you to join the family of customers, enjoying its products and schedule a visit to the plant at any time.



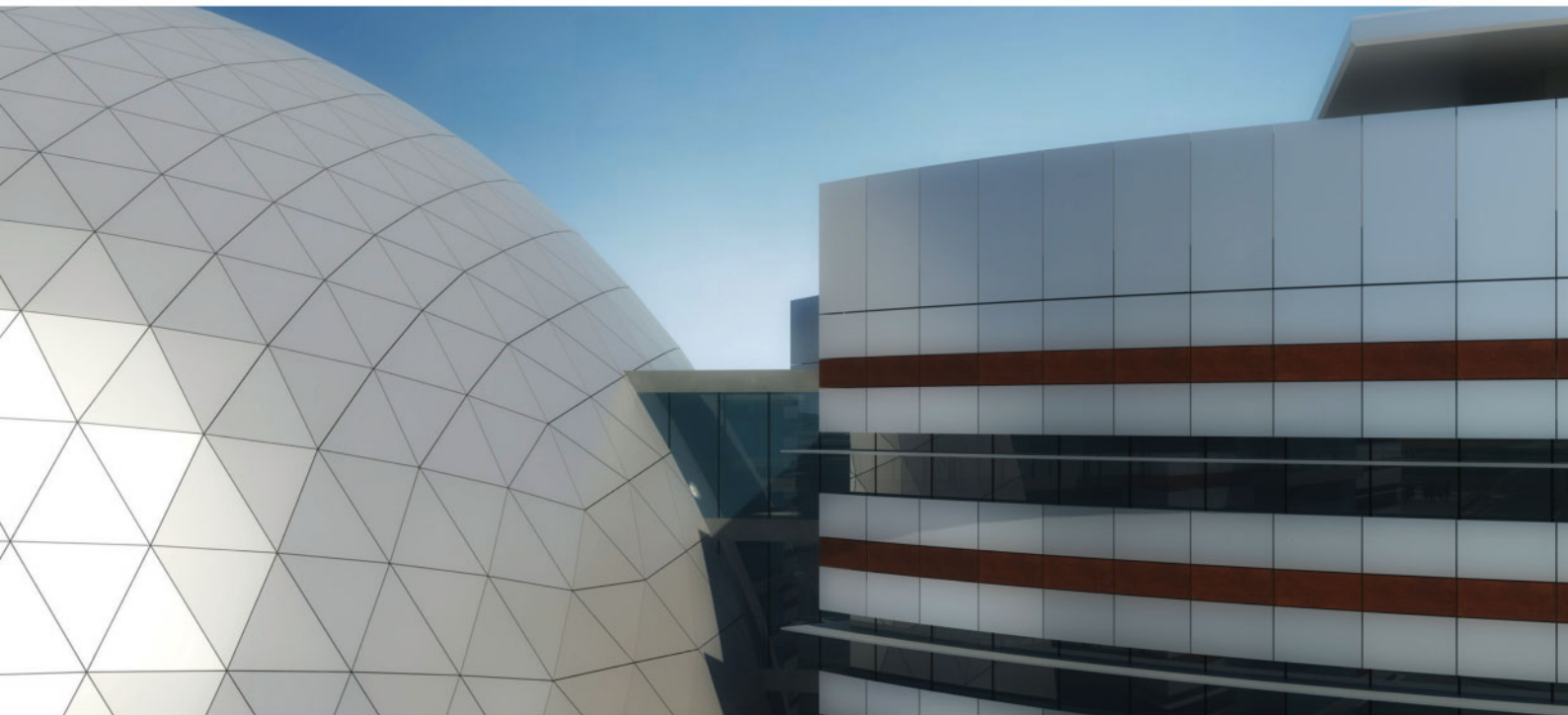
option for  
external insulation  
-15c - 30c  
with insulation panel

*Quilley*



## ALC 500 SYSTEM

- **Waterproof** and airproof (98% impermeable to water - the other 2% is drained off on the outer side of the panels)
- An infinite number of **geometric shapes** (square, triangular, hexagonal, trapezoidal, etc.)
- **Thermal insulation**
- **Acoustic insulation**
- A huge range of **panel sizes** (up to 5000/1500 mm)!
- **Outer layers made of a variety of materials** (aluminum, glass, wood)
- A selection of 360 different shades and **colors** of aluminum and glass
- **Integrity of construction** (no need for supporting walls behind the panels)
- **No bending of metal sheets!**



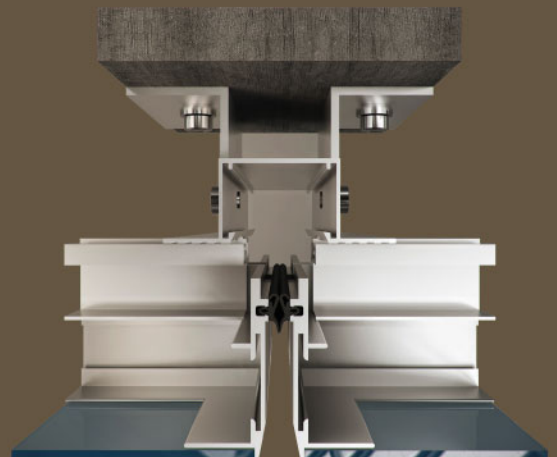
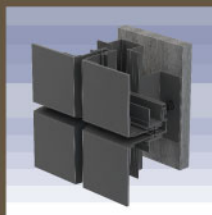
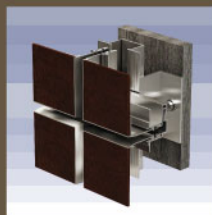
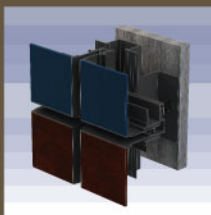
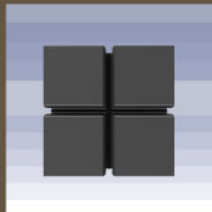
Blue glass with wood



Glass with wood



Aluminum



The ALC 500 system was developed by Aluminum Construction Israel, one of the world's leading companies in the field of curtain wall engineering and building cladding.

The ALC 500 system has been designed and tested in the company's laboratories in Israel, and has been proven to conform to American and European standards for the cladding of buildings.

The ALC 500 system allows the modular installation of panels on every type of building.

**Waterproofing** - The ALC 500 system is almost totally waterproof (98% at a pressure of 1200 Pa) and airtight, an advantage which eliminates the need for sealing the concrete or concrete-block walls behind the ALC 500 system. Even if small amounts of water should penetrate behind the outer layer, the wall acts as a rain screen, channeling the water outward via the lower part of the wall, without wetting the concrete walls.

**Geometrical shapes** - The ALC 500 system enables unlimited production of geometric shapes. Present-day architectural design calls for extensive use of polygonal shapes: hexagons, octagons and a variety of quadrilaterals. Any kind of polygon at all can be produced, including trapezoids and triangles.

## Options of Different Textures

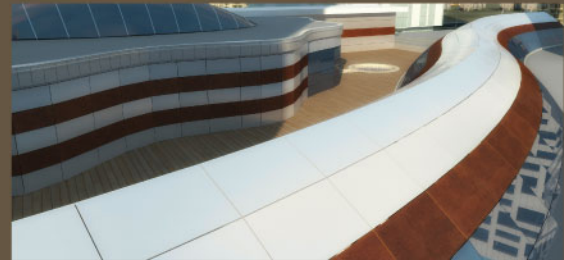
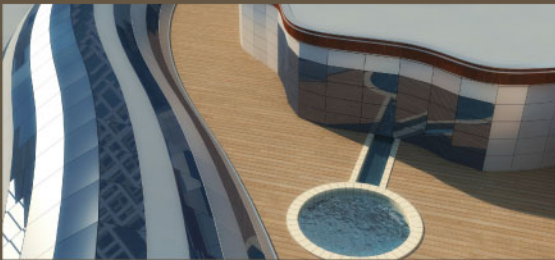
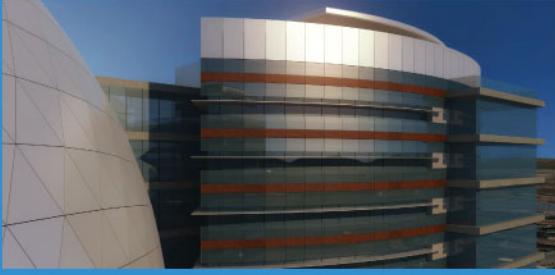


**Thermal insulation** - Since the ALC 500 system is for all practical purposes waterproof and airtight, the air trapped between the ALC 500 outer layer and the walls of the building acts as a significant additional thermal insulating layer. In addition, the impermeability of the wall to water means that no ice can form between the outer layer and the inner wall of the building.

**Acoustic insulation** - The almost totally sealed character of the ALC 500 system fundamentally enhances its acoustic insulation properties.

**Panel sizes** - The ALC 500 system enables the use of very large panels - up to 5000/1500 mm. This is because the system includes whatever supporting ribs are required, as indicated by statistical calculations.



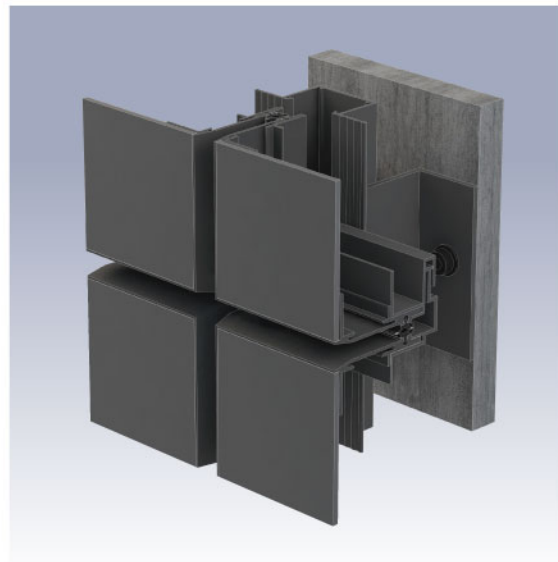
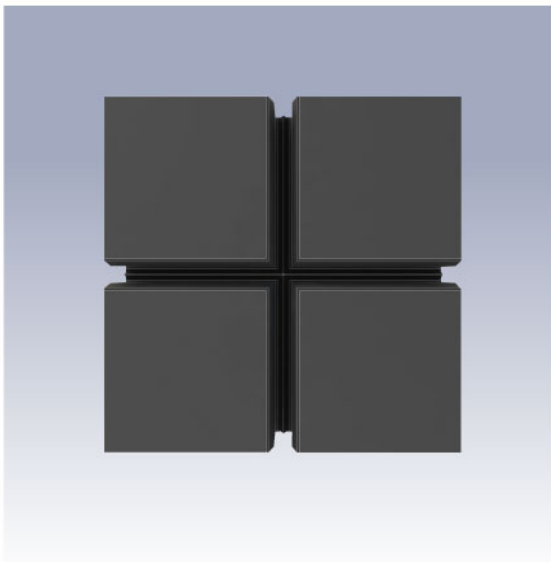


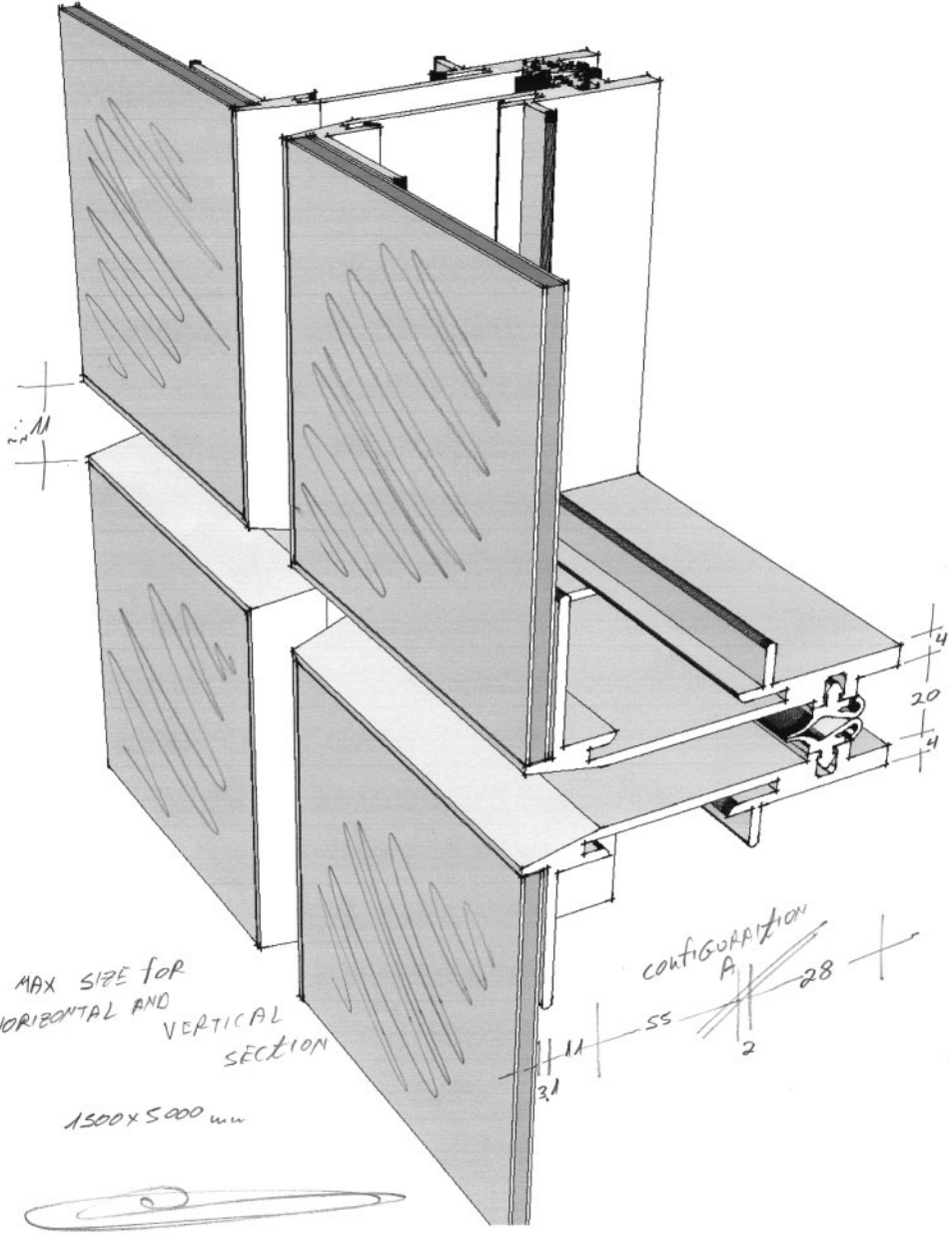
**Outer layers made of a variety of materials** - The ALC 500 system enables use of complex aluminum panels, 4 mm thick, and of glass panels of any color, 4-6 mm thick, as well as various types of granite. The different types of outer layers can be mixed in any combination, according to the architect's choice.

**Colors** - Aluminum Construction Israel CL offers a wide choice of colors, both of aluminum and glass panels. Architects can choose any of the RAL colors, for any of the outer layers, giving a choice of 360 different shades; the system also enables mixing of any combination of colors within the system itself (one color for the frame, another for the panel).

**Integrity of Construction** - The ALC 500 system can function as a stand-alone wall, connected to the building only at each floor level. This renders unnecessary the construction of concrete or concrete-block walls - the walls may be of gypsum board alone.

**Bending of Metal** - The ALC 500 system does not require the bending of aluminum sheets; an appropriate static strength is thus maintained, and damage avoided, over a long period.





11  
 11

4  
 20  
 4

MAX SIZE FOR  
 HORIZONTAL AND  
 VERTICAL  
 SECTION  
 1500 x 5000 mm

CONFIGURATION  
 A  
 28

11  
 3,1

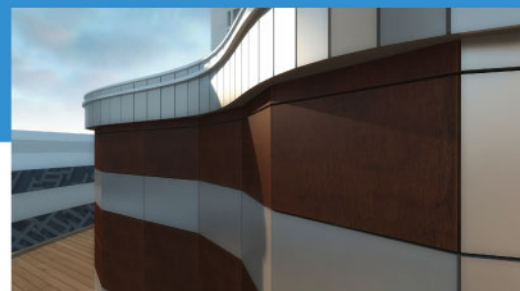
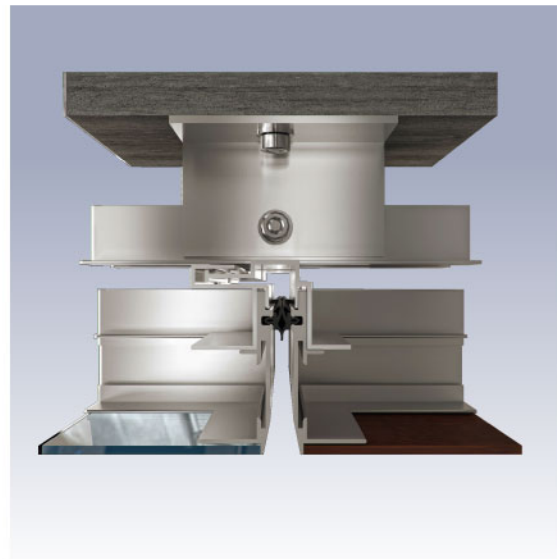
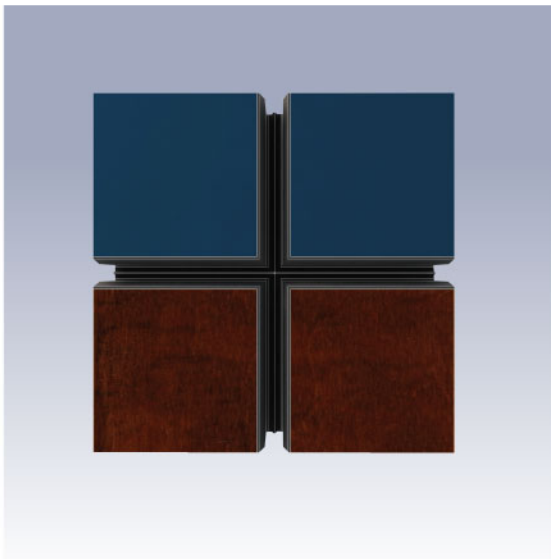


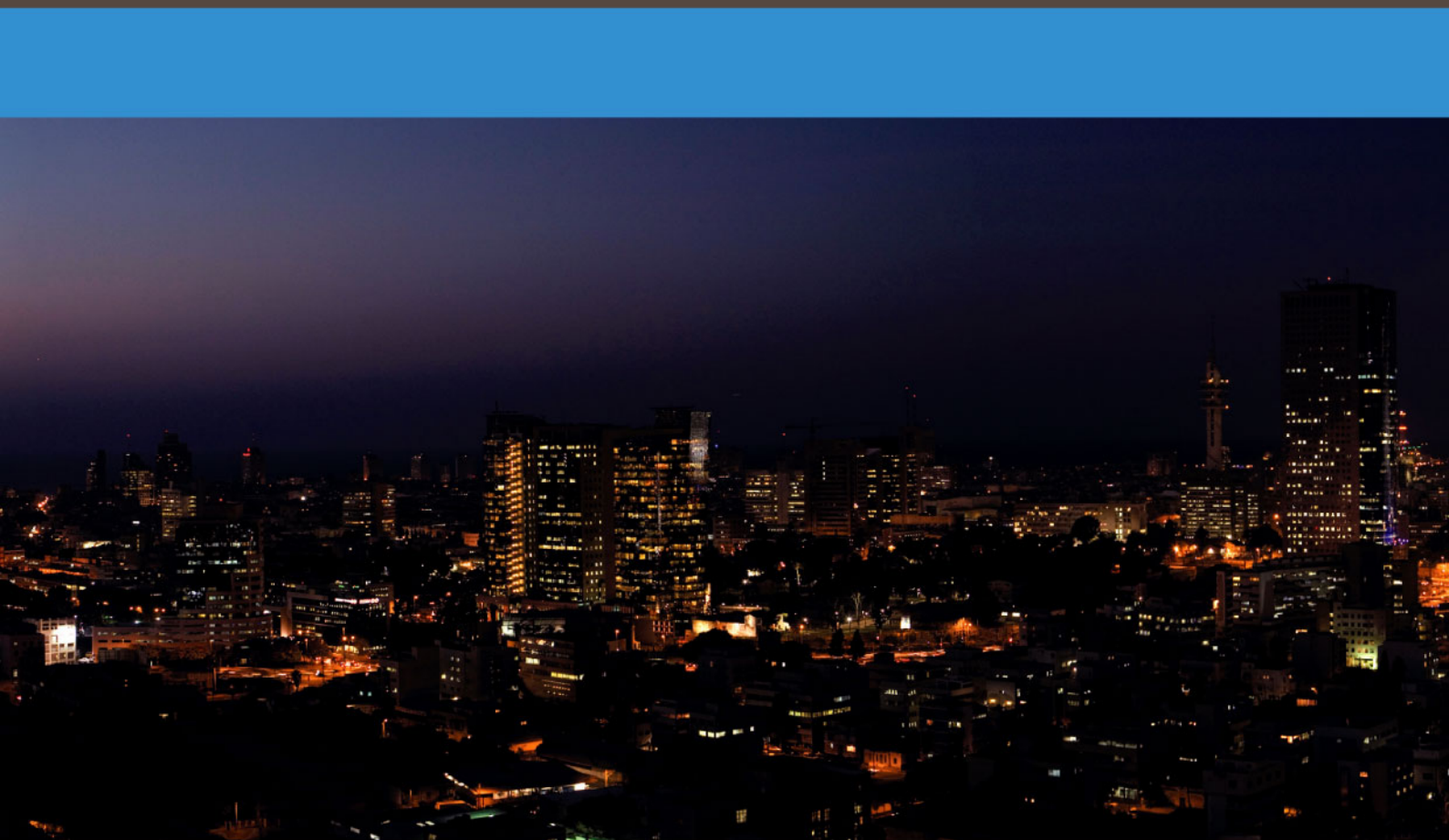
11  
 4



## Advantages of the System

Subject	ALC 500	Other systems
Waterproofing	High	Low
Airproofing	High	Low
Color blending	Many options	No options
Thermal insulation	High	Low
Acoustic insulation	High	Low
Integrity of construction	High	Medium
Panel sizes	Very large	Medium
Geometrical shapes	Many	Very few
Combination metal/glass	Available	Not available
Speed of construction	High	Medium
Details of finish	High quality	Medium quality





Studio Orit Ieger /Mordagan Production Ltd.

Aluminum Construction Ltd.  
Mishor Adumim Industrial Zone 98100 ISRAEL  
Tel.972-2-5352581 • Fax.972-2-5354008  
[www.alcon.co.il](http://www.alcon.co.il) • [alumcon@bezeqint.net](mailto:alumcon@bezeqint.net)