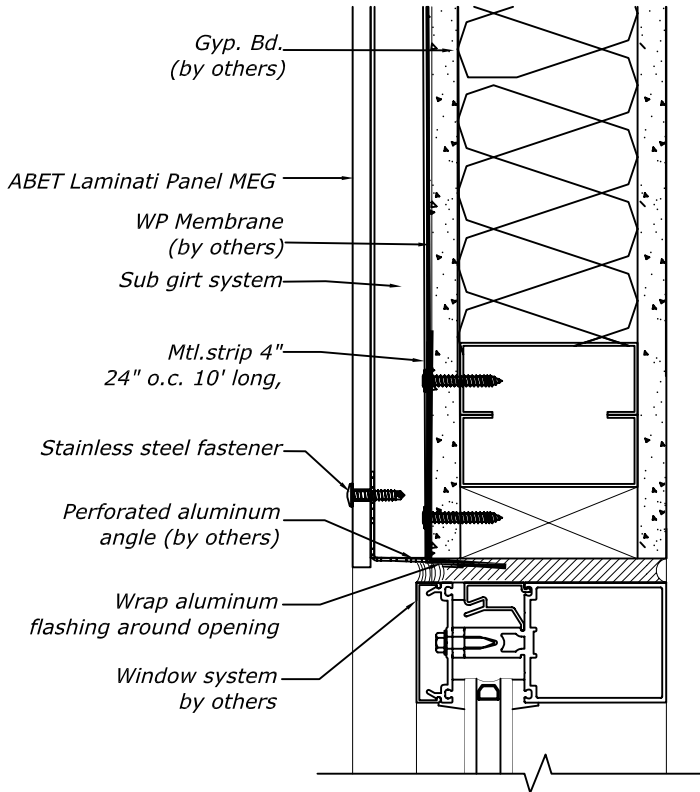
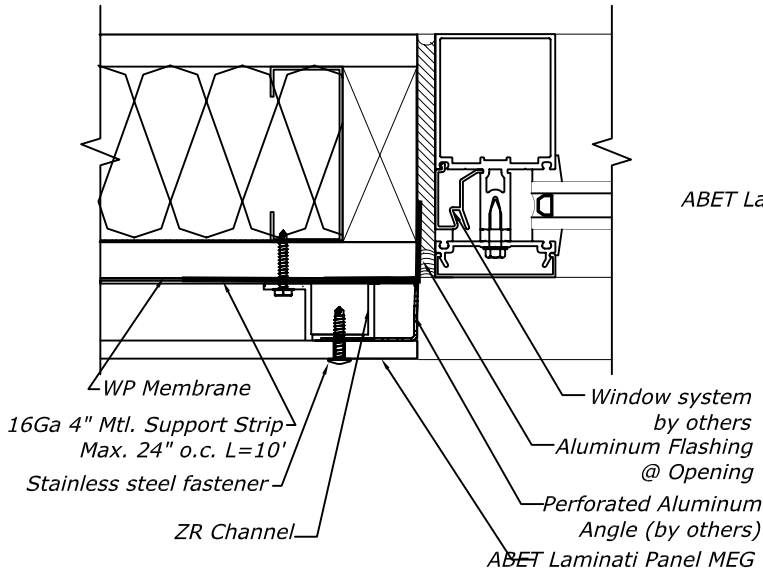


# Window/Door Sections

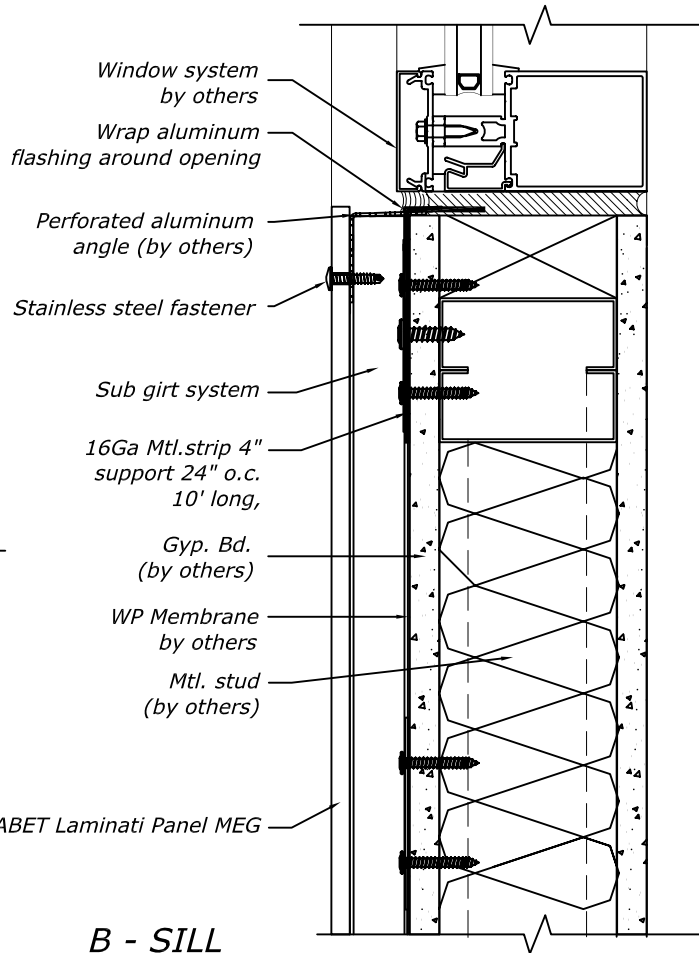
Detail No: AL-13



**A - HEAD**



**C - JAMB**



**B - SILL**

This information is to be used for Promotional Purposes Only. It is the user's responsibility to confirm the appropriateness and completeness of the information for their own particular use.