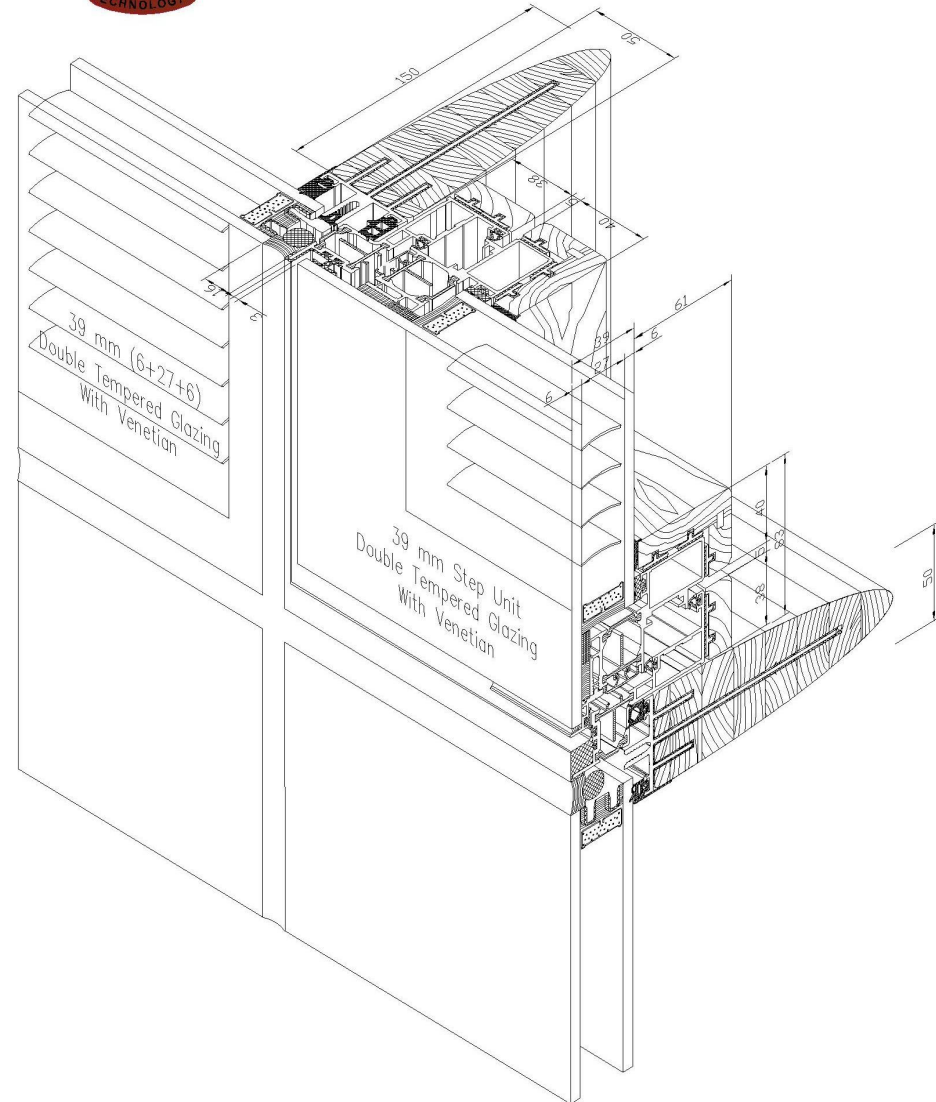
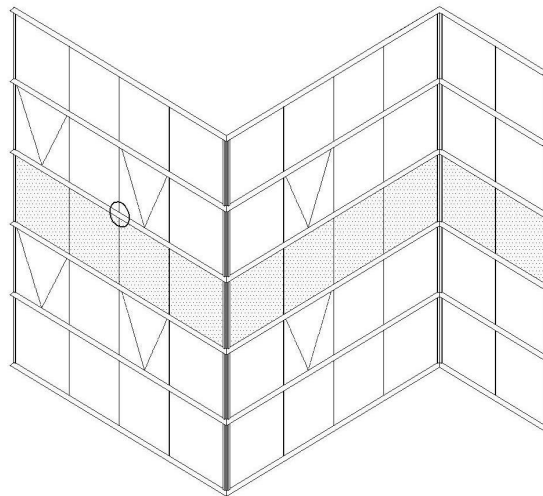


ALC-4000 SG
Aluminum-Wood
Curtain Wall
(Structural Glazing)

Façade Systems
By Aluminum Construction PRO



ALUMINIUM CONSTRUCTION PRO. LTD. CURTAIN WALL ALC 4000 SG



ALC-4000 Semi Structural Glazing Curtain Wall

2007

Scale

1:1.5

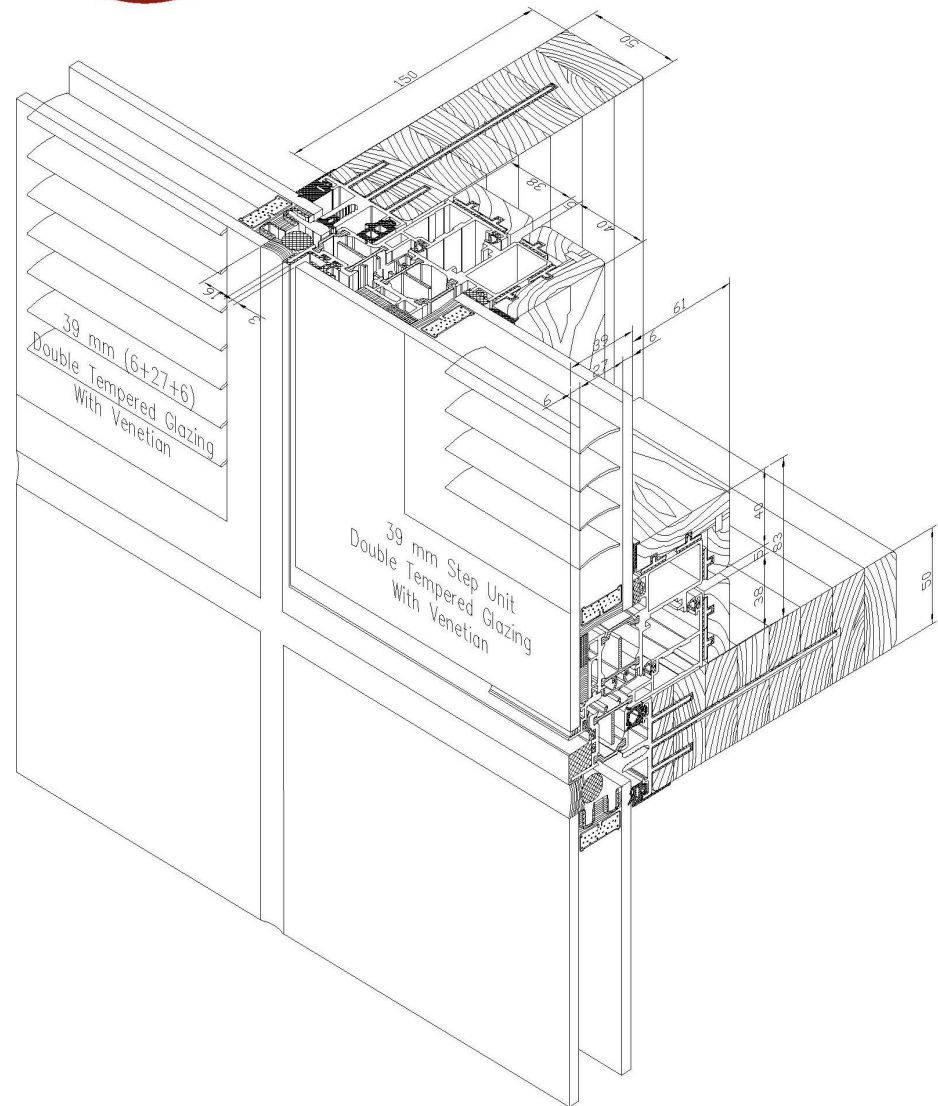
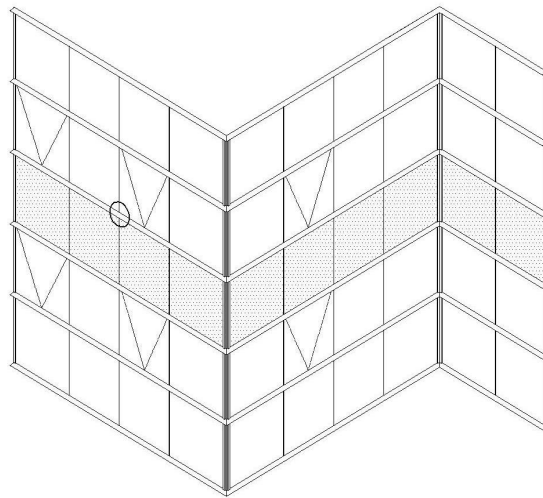
**ALUMINIUM
CONSTRUCTION PRO. Ltd.**

Industrial Zone Mishor Adumim, 98100, ISRAEL
TEL: +972-2-5352581. FAX: +972-2-5354008.





ALUMINIUM CONSTRUCTION PRO. LTD. CURTAIN WALL ALC 4000 SSG



ALC-4000 Semi Structural Glazing Curtain Wall

2007

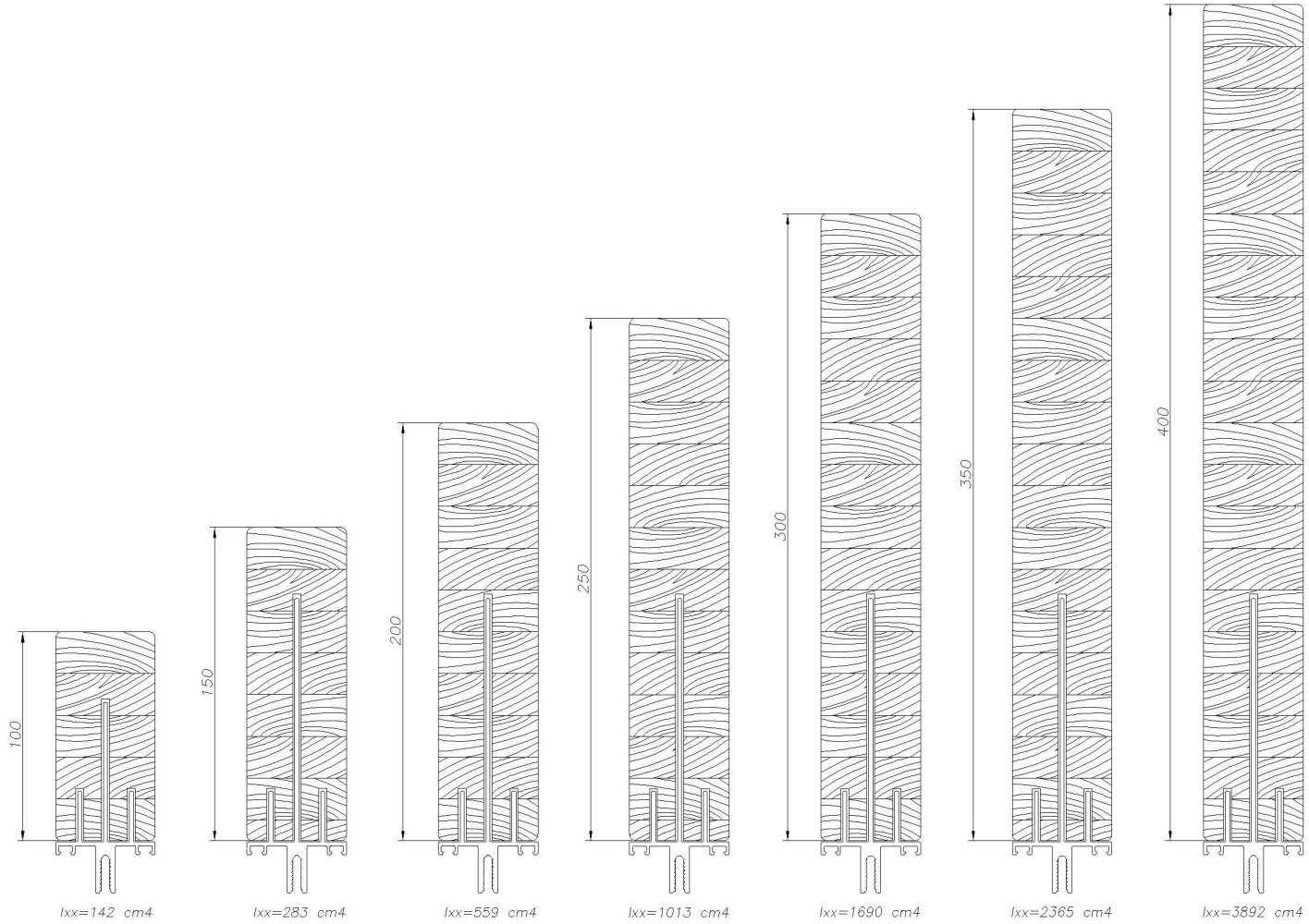
Scale

1:1.5

**ALUMINIUM
CONSTRUCTION PRO. Ltd.**

Industrial Zone Mishor Adumim, 98100, ISRAEL
TEL: +972-2-5352581. FAX: +972-2-5354008.





ALC-4000 Structural Glazing Curtain Wall

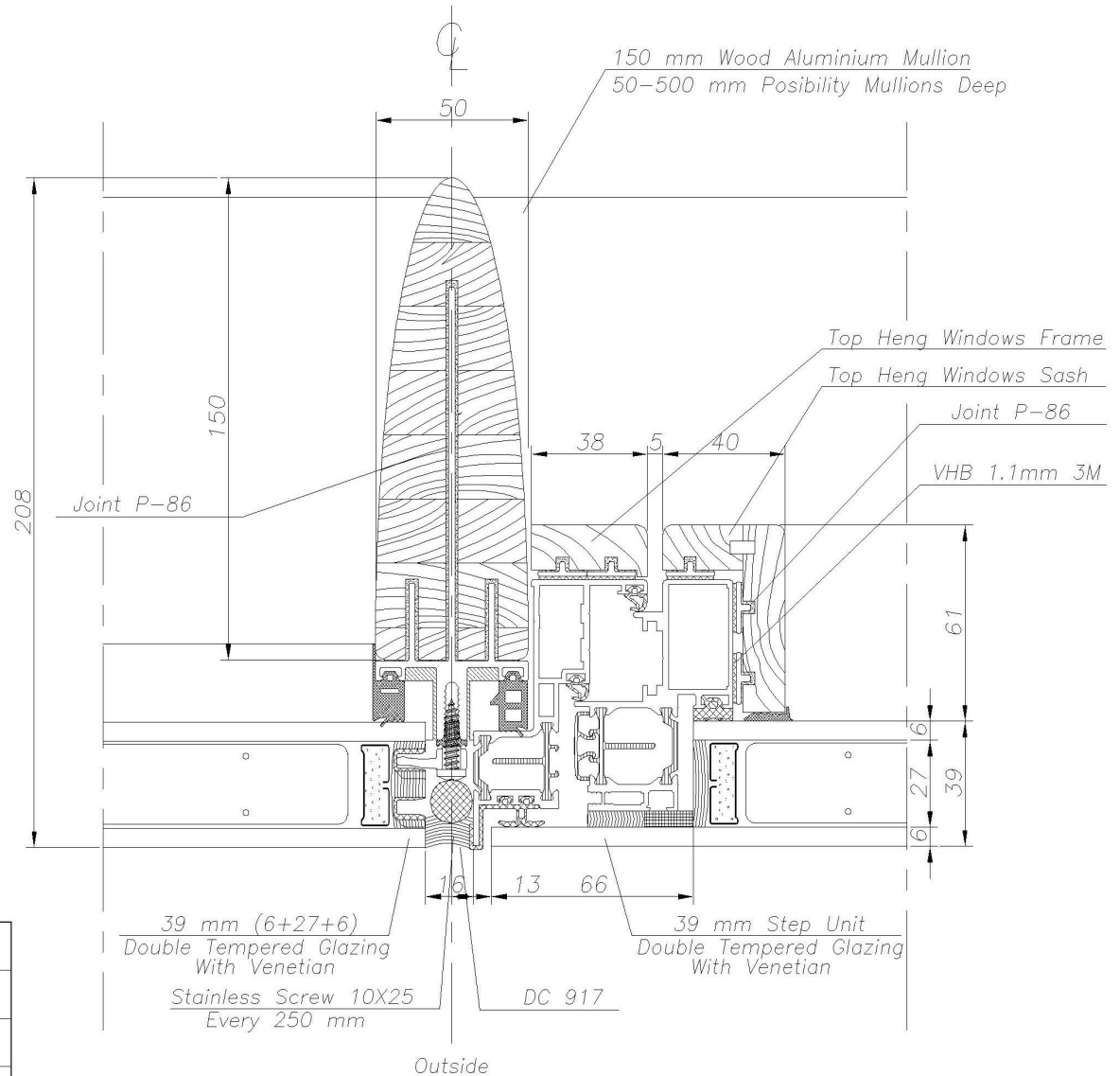
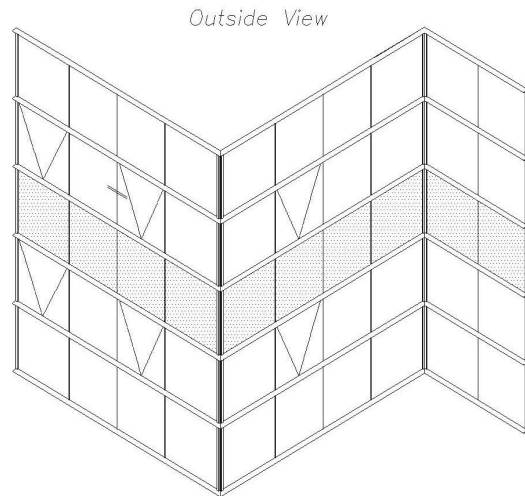
100-400 mm Deep Mullions

Format	A-2	Scale	1:1.5
---------------	------------	--------------	--------------

**ALUMINIUM
CONSTRUCTION PRO. Ltd.**

Industrial Zone Mishor Adumim, 98100, ISRAEL
TEL: +972-2-5352581. FAX: +972-2-5354008.





ALC-4000 Structural Glazing Curtain Wall

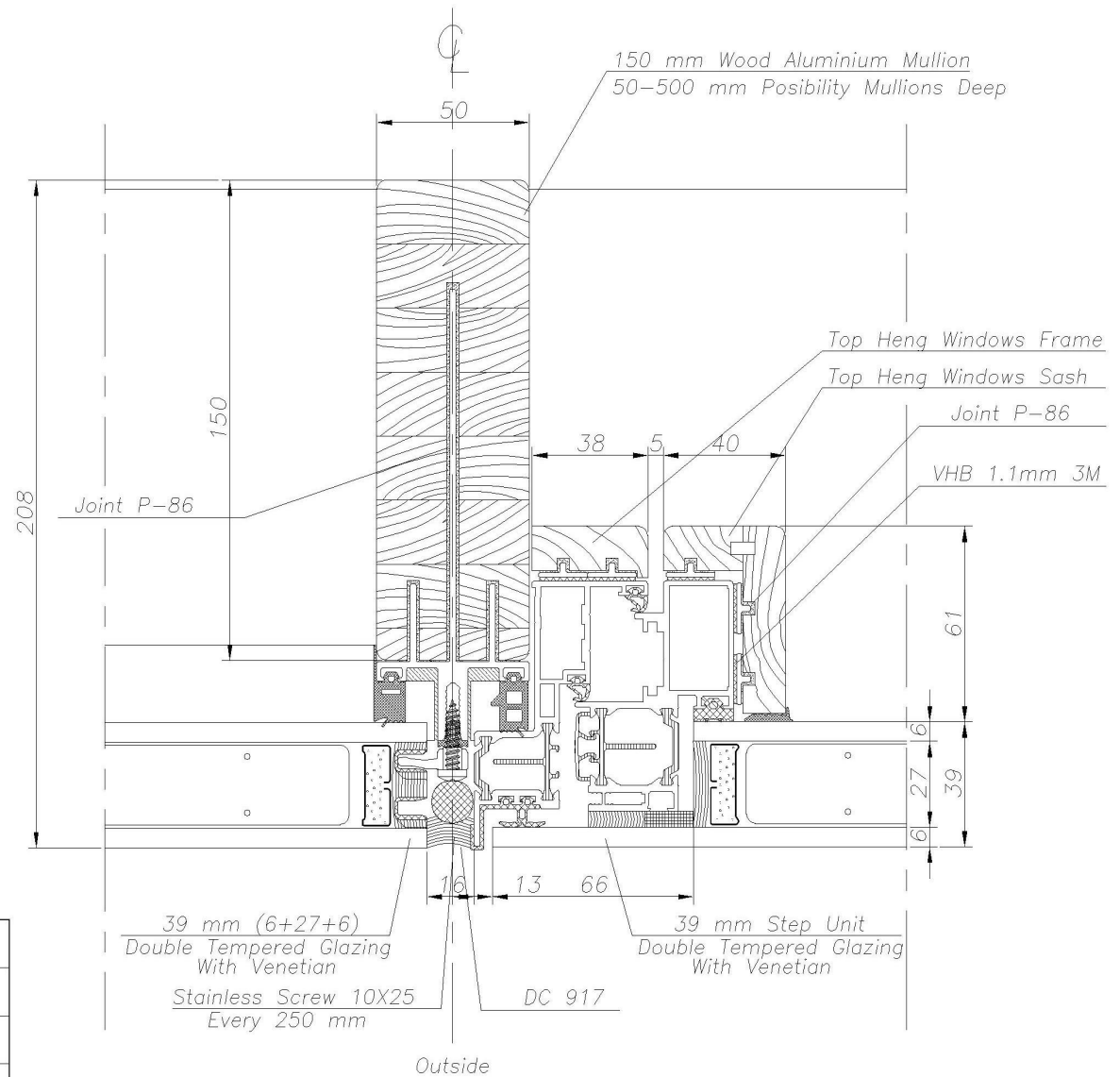
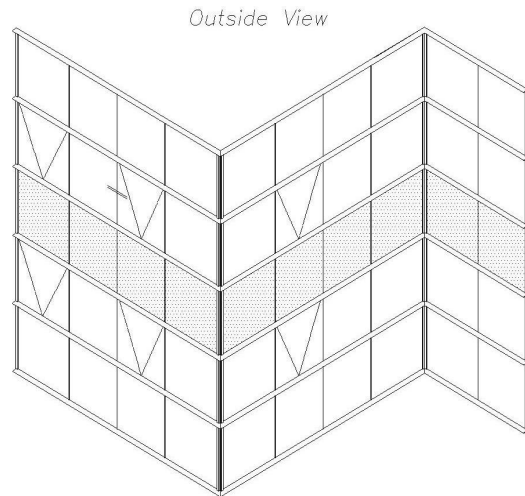
Horizontal Cut In The Window Area

Format A-2 Scale 1:1

**ALUMINIUM
CONSTRUCTION PRO. Ltd.**

Industrial Zone Mishor Adumim, 98100, ISRAEL
TEL: +972-2-5352581. FAX: +972-2-5354008.





ALC-4000 Structural Glazing Curtain Wall

Horizontal Cut In The Window Area

Format

A-2

Scale

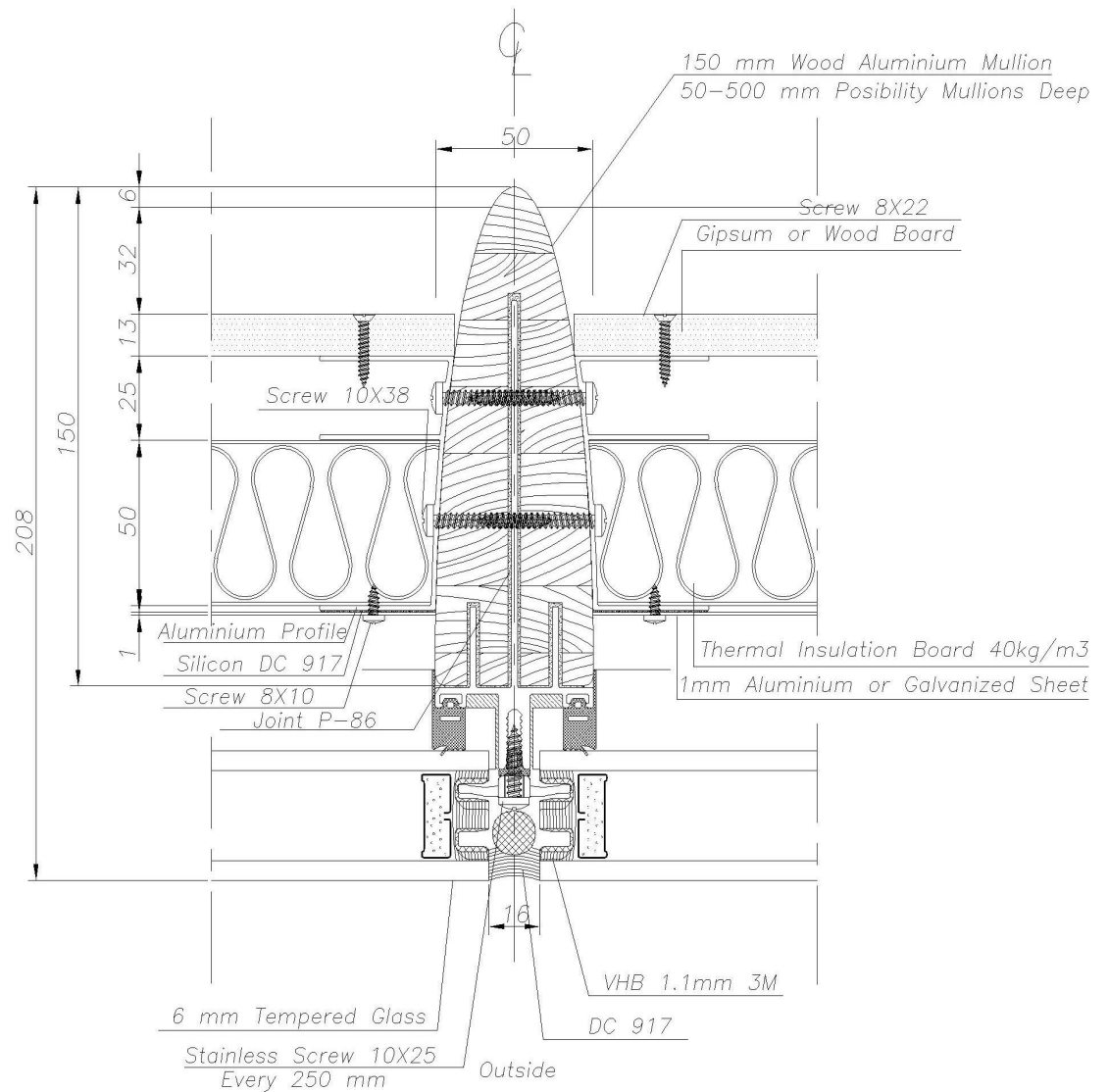
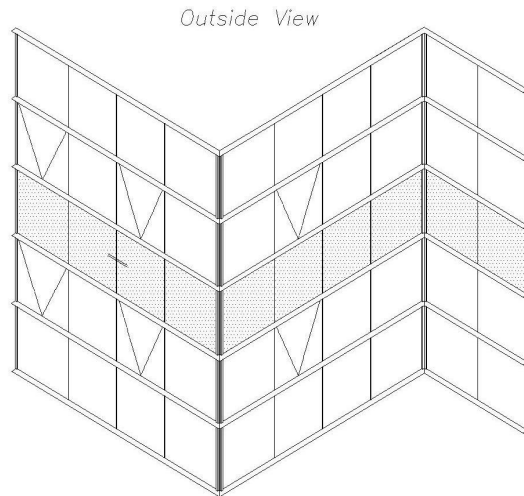
1:1

**ALUMINIUM
CONSTRUCTION PRO. Ltd.**

Industrial Zone Mishor Adumim, 98100, ISRAEL

TEL: +972-2-5352581. FAX: +972-2-5354008.





ALC-4000 Structural Glazing Curtain Wall

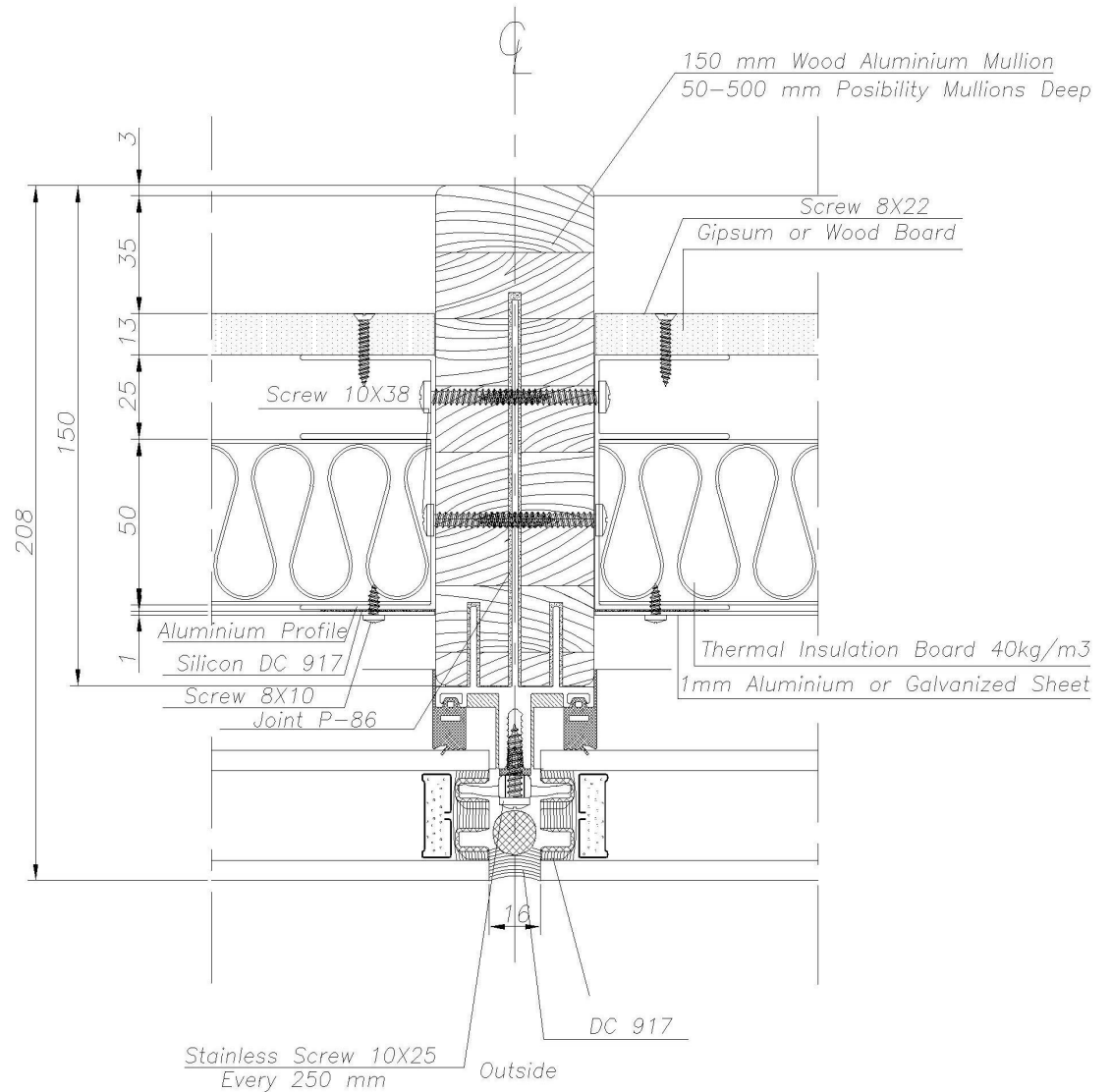
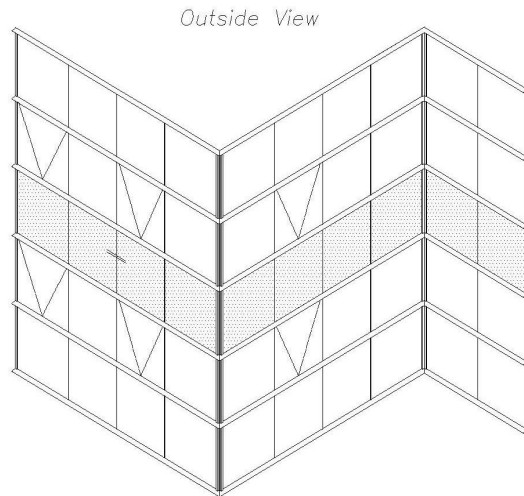
Horizontal Cut In The Spandrel Area

Format	A-2	Scale	1:1
---------------	------------	--------------	------------

**ALUMINIUM
CONSTRUCTION PRO. Ltd.**

Industrial Zone Mishor Adumim, 98100, ISRAEL
TEL: +972-2-5352581. FAX: +972-2-5354008.





ALC-4000 Structural Glazing Curtain Wall

Horizontal Cut In The Spandrel Area

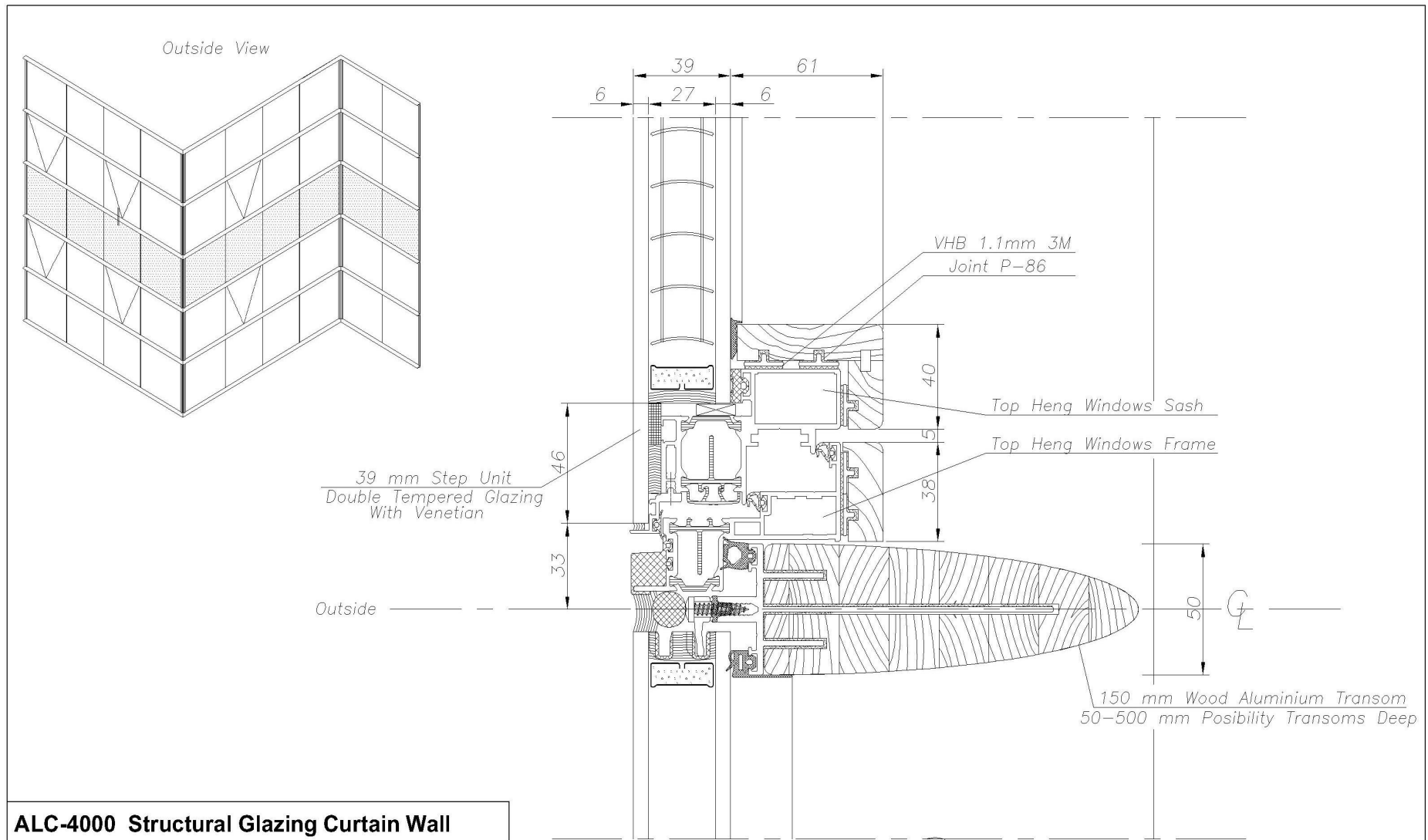
Format A-2 Scale 1:1

**ALUMINIUM
CONSTRUCTION PRO. Ltd.**

Industrial Zone Mishor Adumim, 98100, ISRAEL

TEL: +972-2-5352581. FAX: +972-2-5354008.





ALC-4000 Structural Glazing Curtain Wall

Vertical Cut In The Window & Spandrel Area

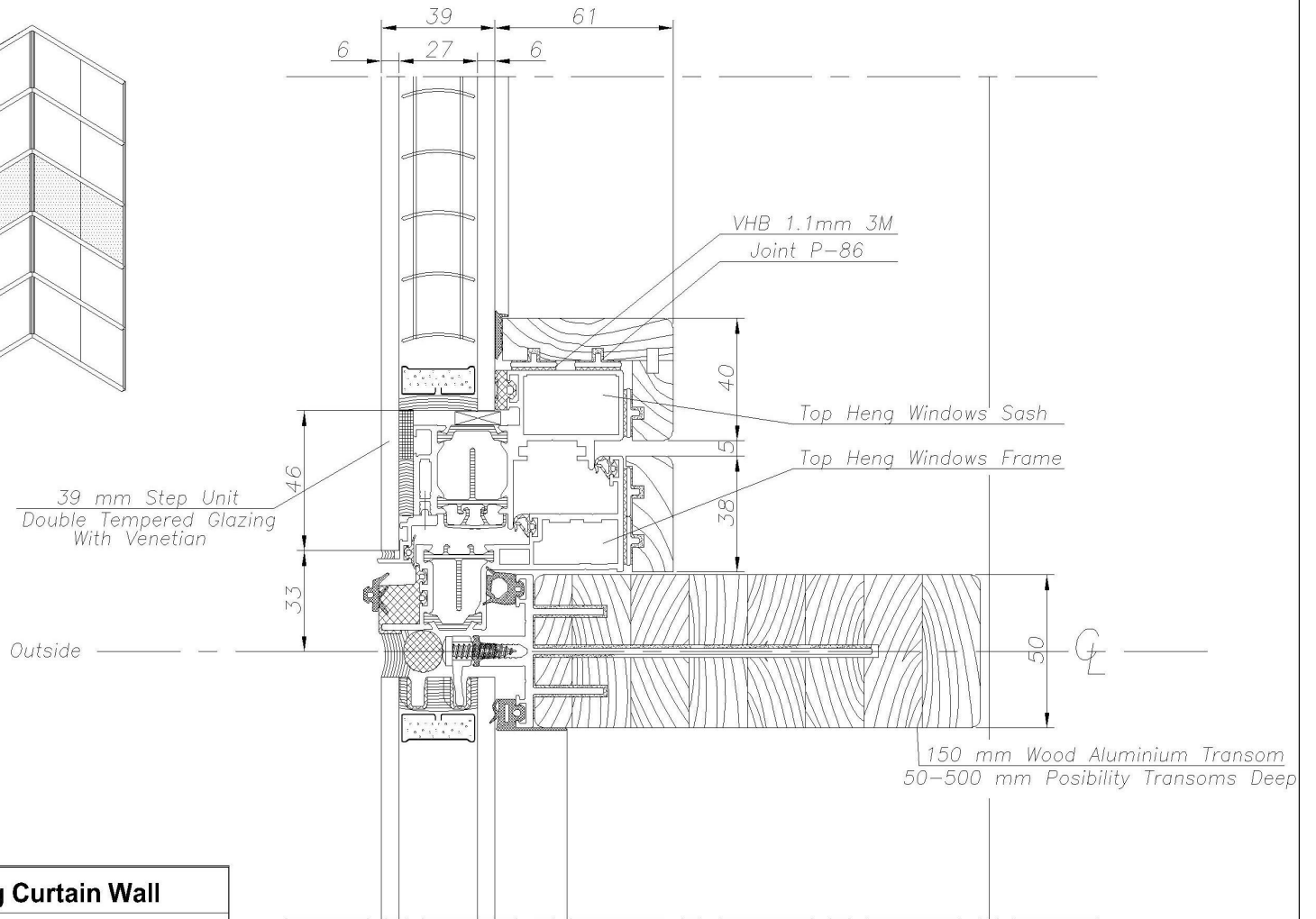
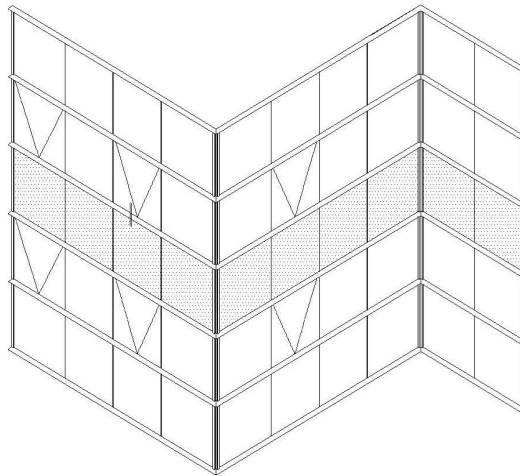
Format	A-2	Scale	1:1
---------------	------------	--------------	------------

**ALUMINIUM
CONSTRUCTION PRO. Ltd.**

Industrial Zone Mishor Adumim, 98100, ISRAEL
TEL: +972-2-5352581. FAX: +972-2-5354008.



Outside View



ALC-4000 Structural Glazing Curtain Wall

Vertical Cut In The Window&Spandrel Area

Format	A-2	Scale	1:1
---------------	------------	--------------	------------

**ALUMINIUM
CONSTRUCTION PRO. Ltd.**

Industrial Zone Mishor Adumim, 98100, ISRAEL
TEL: +972-2-5352581. FAX: +972-2-5354008.

